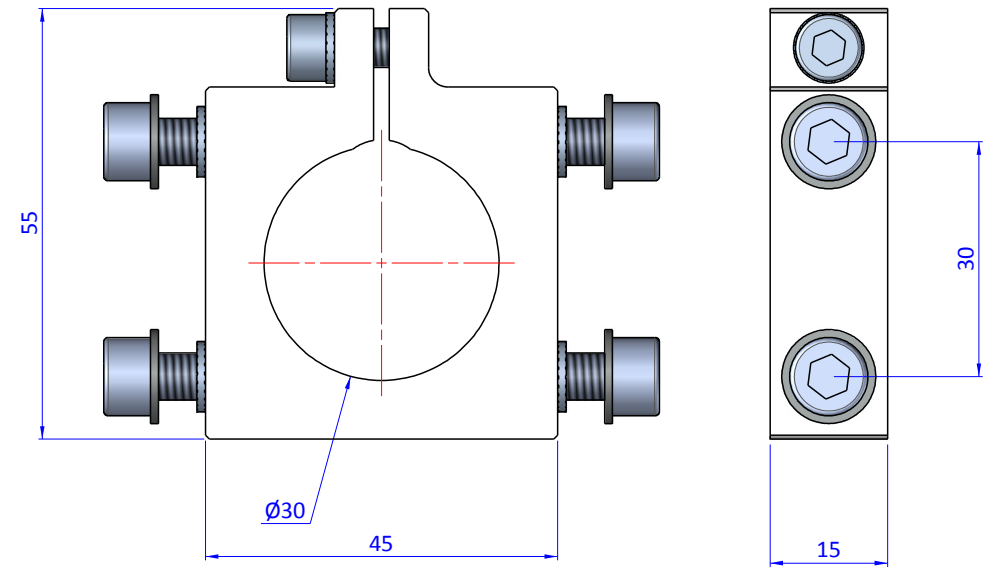
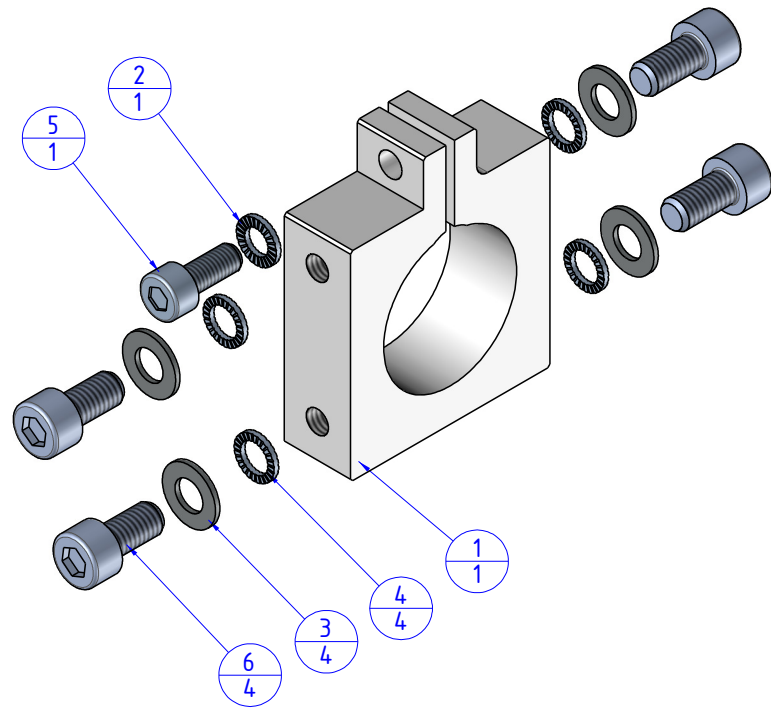



THE PROPERTY OF THE DRAWING IS ESTABLISHED BY LAW. IT IS FORBIDDEN TO PRODUCE OR SHOW IT TO THIRD PART, WITHOUT A WRITTEN AGREEMENT.

Item	Name	Q.ty
1	04.10.30.1	1
2	R.5.SCH	1
3	R.6	4
4	R.6.SCH	4
5	VTCE5x12	1
6	VTCE6x12	4



Format A3  
UNI 936-76

 <b>FPS</b> FPSERVICES AUTOMATION		DESIGNED FROM		REVIEW
		FPS Automation		A
GENERAL TOLERANCE		DATE	WEIGHT	
UNI - ISO 2768		06/05/2019	0,086kg	
CLASSE f		CODE		
		CA.04.10.30.1		